

# H5000 Hybrid Woltmann meter

Widest measuring range and ready for AMR



# H5000 Woltmann cold water meter

The H5000 is a Woltmann-type meter designed for measuring bulk flows of cold potable water for revenue billing in commercial or industrial applications and distribution system monitoring

## Key Features

- Wide measuring range approved up to 1600:1
- Retro-fit mechanism into the H4000 body
- Uses innovative measuring technology
- Electronic register includes an integrated communications cable
- Electronic register pre-equipped for AMR/AMI with pulse, encoder, Aquabus, M - Bus, L - Bus outputs
- Value adding AMR/AMI style features such as flow rate display, data-logging, leak detection, tamper alarms and tariffing

## H5000 Applications

H5000 is the next generation of Woltmann (Turbine) bulk water meters from Elster. With a range of important features, H5000 represents the very highest performance in bulk flow water metering making it ideally suited to both billing and water distribution applications. Available in seven sizes from DN40 to DN150 for flow rates between 40 l/h and 200 m<sup>3</sup>/h, the H5000 operates at temperatures up to 50°C and a maximum working pressure of 16 bar.

The H5000 meter has an advanced electronic register which includes integrated communications covering a range of industry standard outputs compatible with common AMR/AMI systems and data-logging equipment.

## H5000 Measuring Range

H5000 has the widest measuring range of any metering technology with a single measuring element. With low-flow that almost matches combination meters, H5000 provides a metrological performance that ensures nearly every drop is measured. With an unrivalled measuring range up to 1600:1 this also simplifies meter selection and reduces inventory.

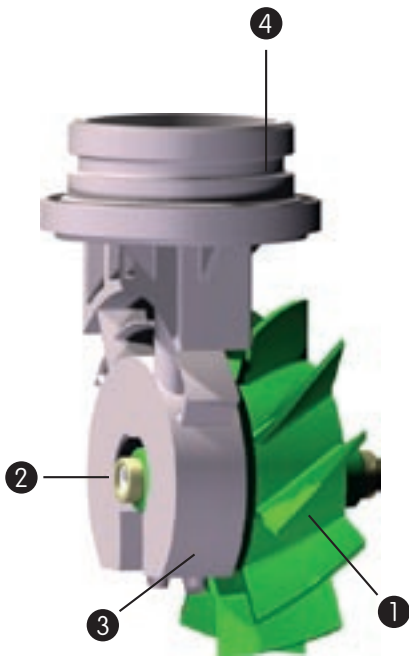
## Ease of Installation

H5000 uses the same body as Elster's industry leading H4000 Woltmann meter, providing simple, cost effective change-out of existing meter stocks. For new meters, the H5000 is available in both ISO (WP) and DIN (WS) lengths. The meter can also be installed in any orientation without any loss of metering accuracy.

**"We have been impressed with Elster's innovative H5000. The low flow capability of this meter has demonstrated its benefit by supporting our small district metered area (DMA) for data management and ensuring accurate measurement of minimum night flows"**

Barrie Light – leakage supervisor of Sembcorp Bournemouth Water.





### Key features

- ① All new rotor design with enhanced, patented\* hydrodynamic and sensing features
- ② Rotor spindle with inductive sensing pads and no wet gearing
- ③ Inductive sensors in a sealed and potted housing
- ④ Secure, waterproof connection to electronic register

\* patents applied for

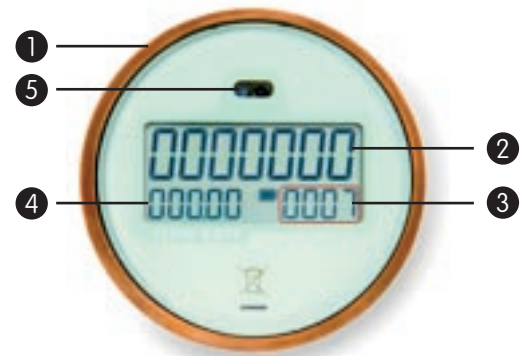
### Communications

H5000's electronic register includes an integrated communications cable (no need to purchase separate modules) with a range of industry standard outputs compatible with common AMR/AMI systems and data-logging equipment. H5000's electronic register is self powered by internal batteries with a typical lifetime of 15 years\*. The large, clear display provides valuable additional information to support a range of activities

\* Actual battery life depends on ambient temperature and flow profile

### C&I Inductive register

- ① Hermitically sealed, mineral glass register prevents moisture and water ingress from damaging the electronics and ensures good visibility
- ② Large, 12mm high index reading up to 7 digits are clearly distinct to aid visual readings and avoid data errors
- ③ Sub-units (decimals), clearly segregated by a red box. These units provide additional resolution for verification
- ④ Real-time flow rate display, avoids the need to make manual calculations based on pointers
- ⑤ I/R interface for factory communication, in-situ upgrades and additional communication devices



### Innovative Measuring Technology

H5000 features an all-new rotor design combined with long-proven sensor technology to maximise measuring range. Just a single moving part improves sensitivity, durability and maintains longevity even at the highest flow rates.



## About Elster Group

Elster (NYSE: ELT) is one of the world's largest electricity, gas and water measurement and control providers. Its offerings include distribution monitoring and control, advanced smart metering, demand response, networking and software solutions and numerous related communications and services – key components for enabling consumer choice, operational efficiency and conservation. Its products and solutions are widely used by utilities in the traditional and emerging Smart Grid markets.

Elster has one of the most extensive installed revenue measurement bases in the world, with more than 200 million metering devices deployed over the course of the last 10 years. It sells its products and services in more than 130 countries across electricity, gas, water and multi-utility applications for residential, commercial and industrial, and transmission and distribution applications.

For more information about Elster, please visit [www.elster.com](http://www.elster.com).

WEEE producer identification number:  
WEE/EJ0221XT/PRO

Elster Metering Limited  
130 Camford Way  
Sundon Park  
Luton  
Bedfordshire  
LU3 3AN  
United Kingdom  
T: +44 (0)1582 846400  
F: +44 (0)1582 564728  
[water.metering@gb.elster.com](mailto:water.metering@gb.elster.com)  
[www.elstermetering.com](http://www.elstermetering.com)

Copyright © 2011 Elster Group  
All rights reserved.  
No part of the publication may be reproduced in any material form without the written permission of the Elster Group except in accordance with the provisions of the Copyright, Designs and Patents Act 1988.

The Company's policy is one of continuous improvement and the right is reserved to modify the specifications without notice.

8511A4261